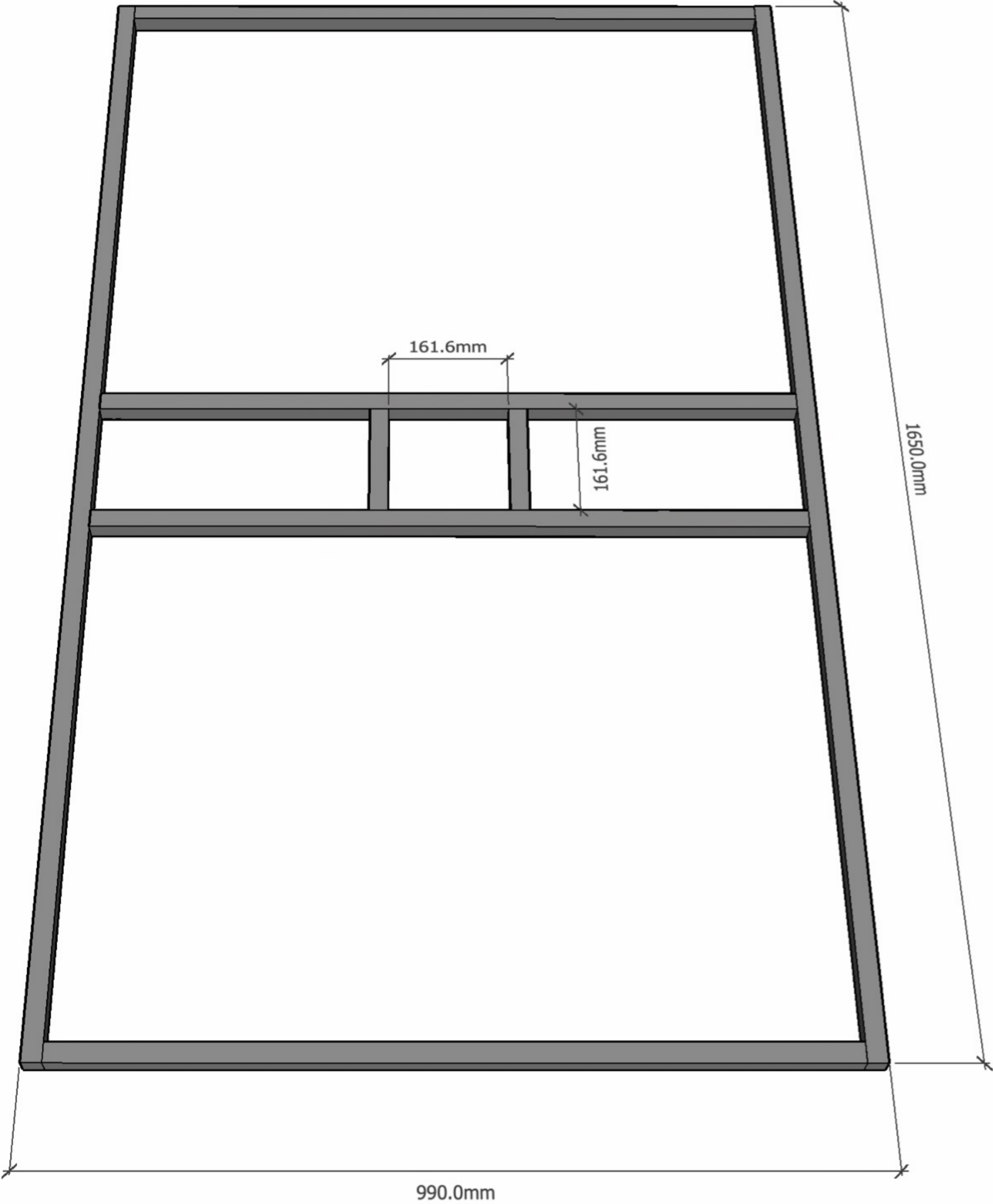


Sun Oxygen System (metal)

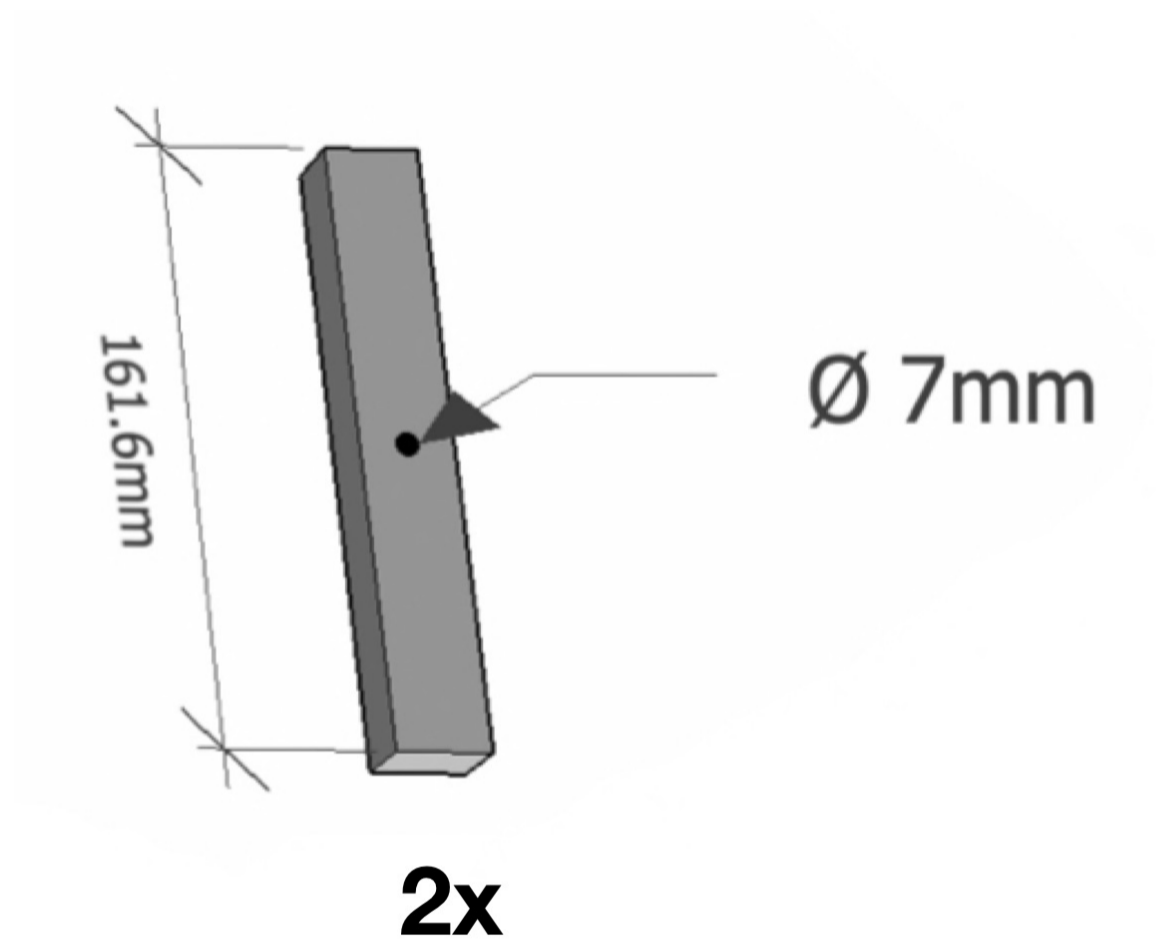


construction manual

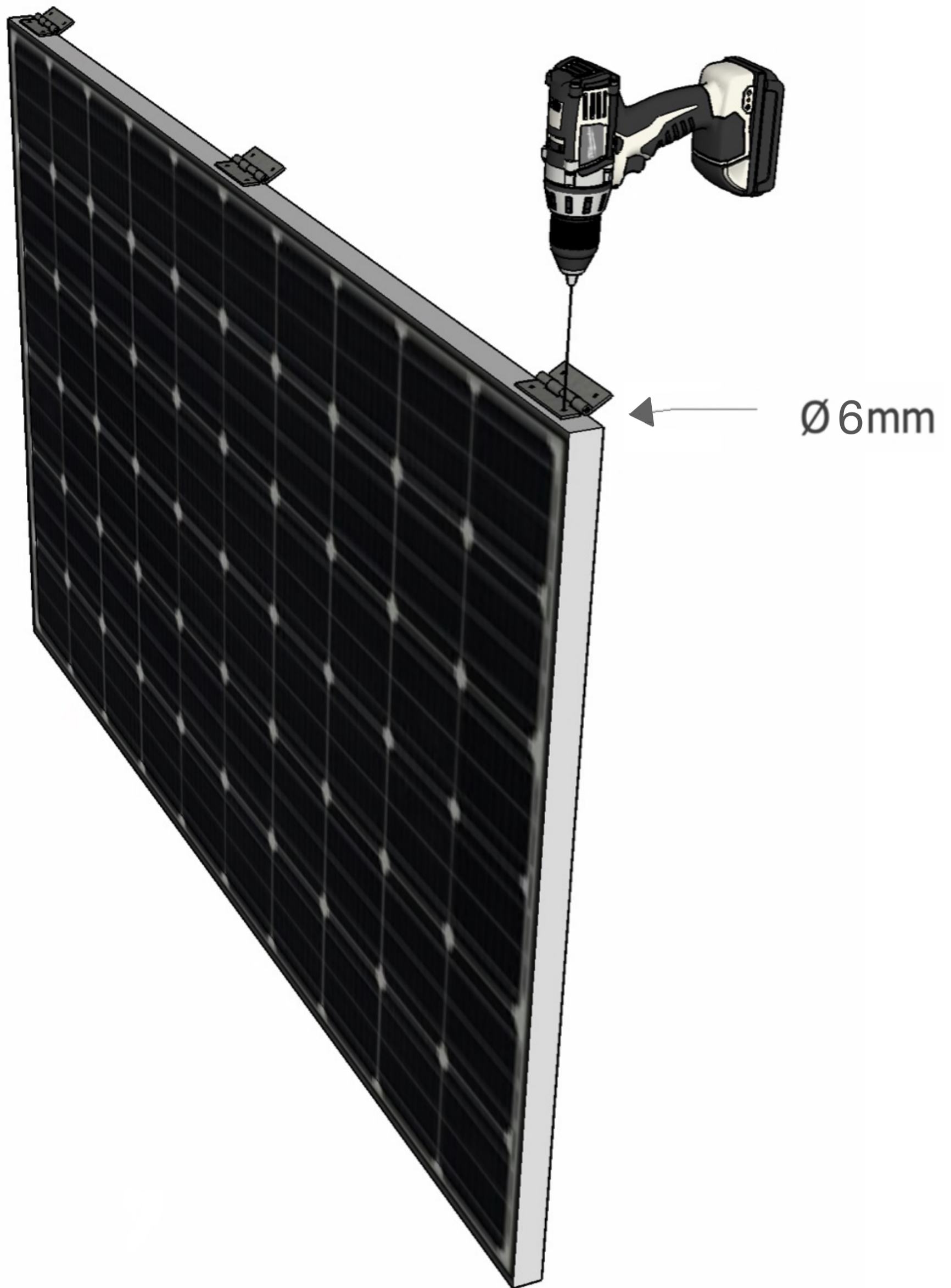
Dimensions



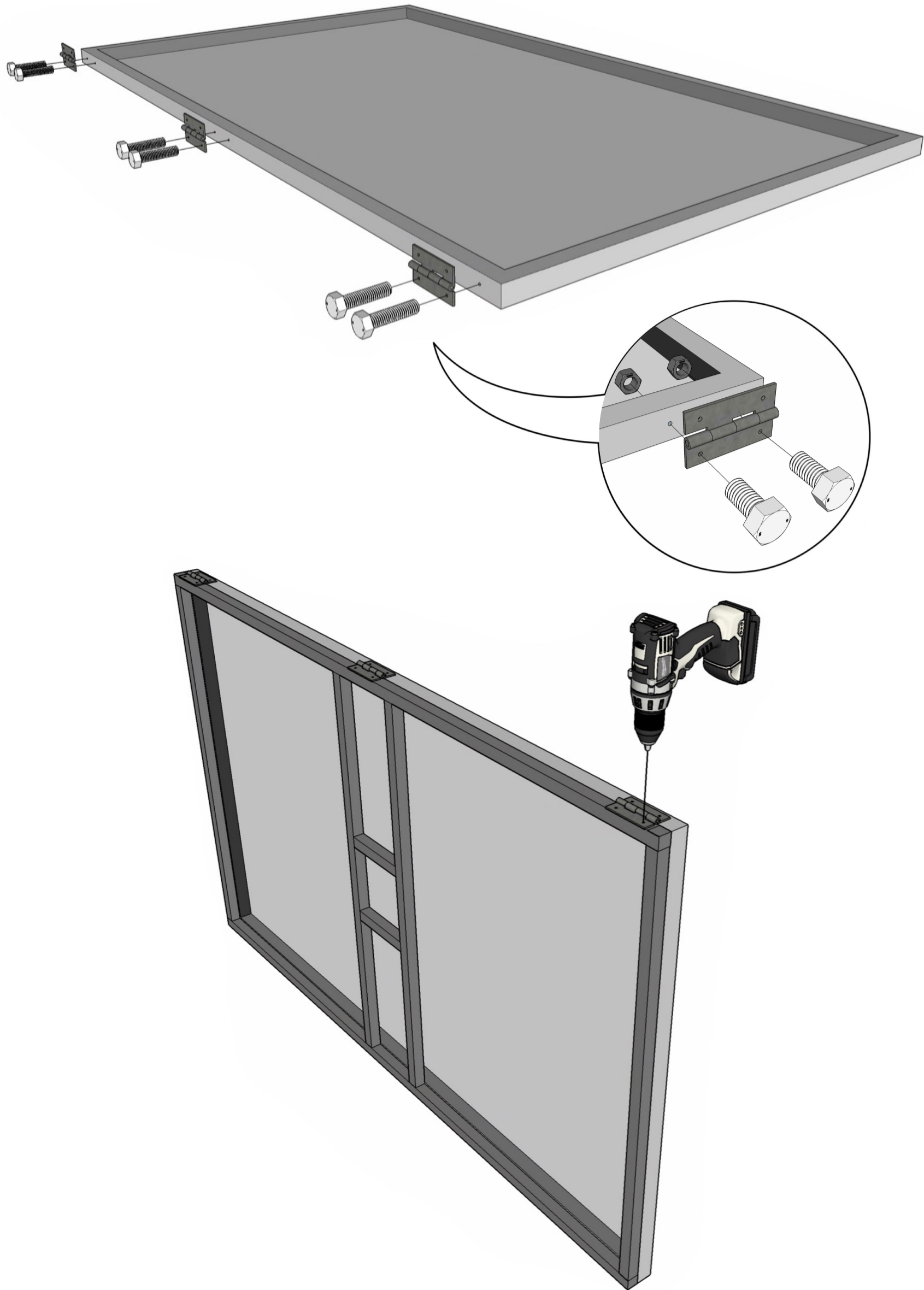
Drilling



The 7mm holes are in the middle of the metal rods.

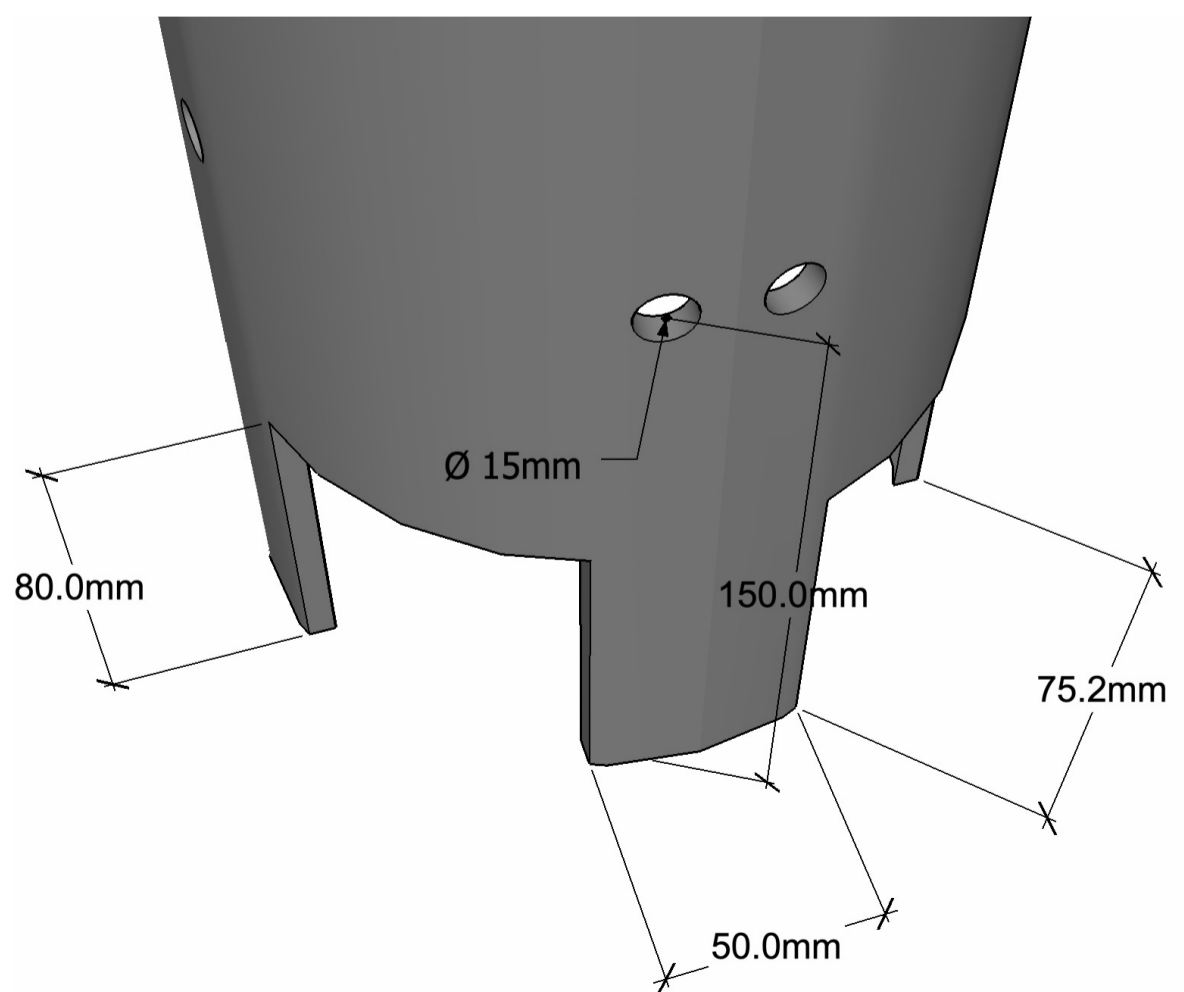
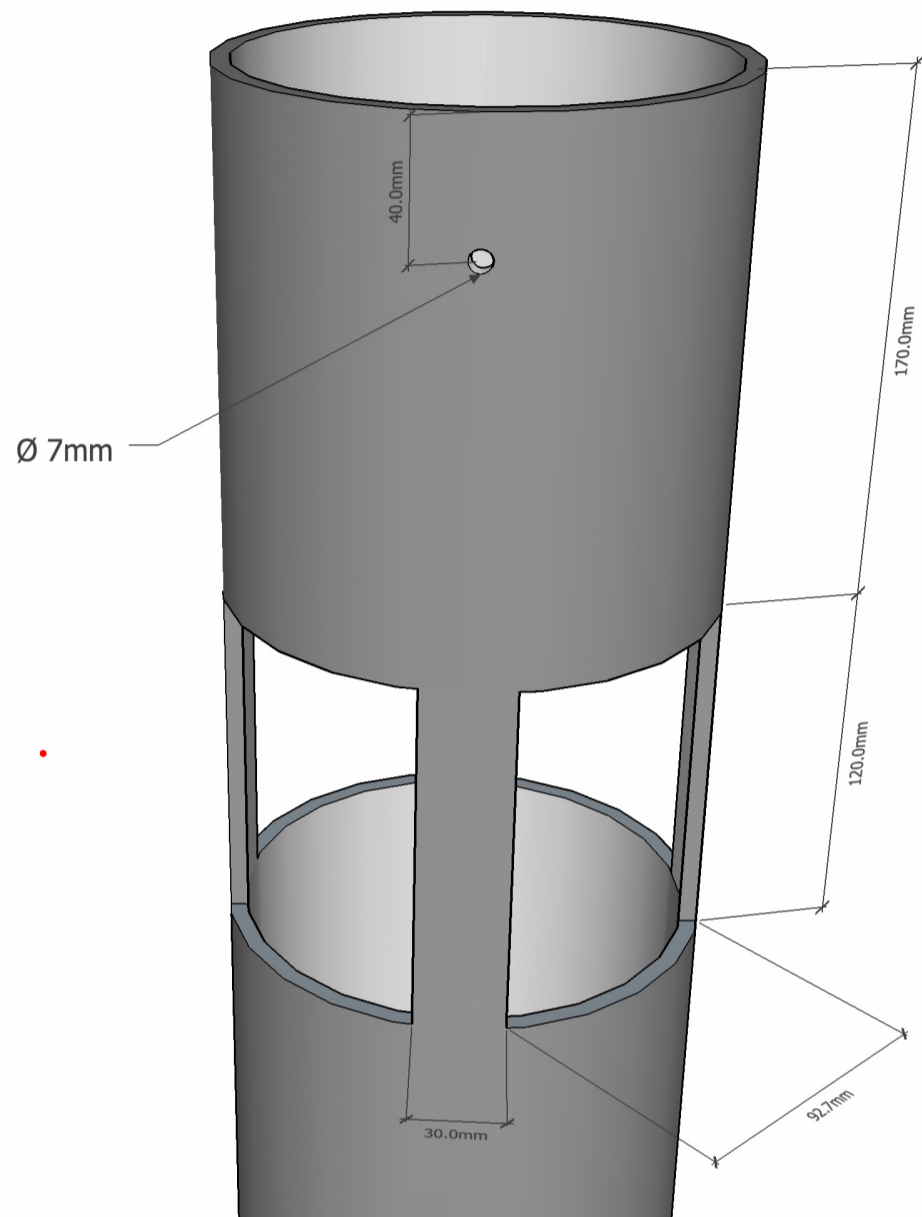
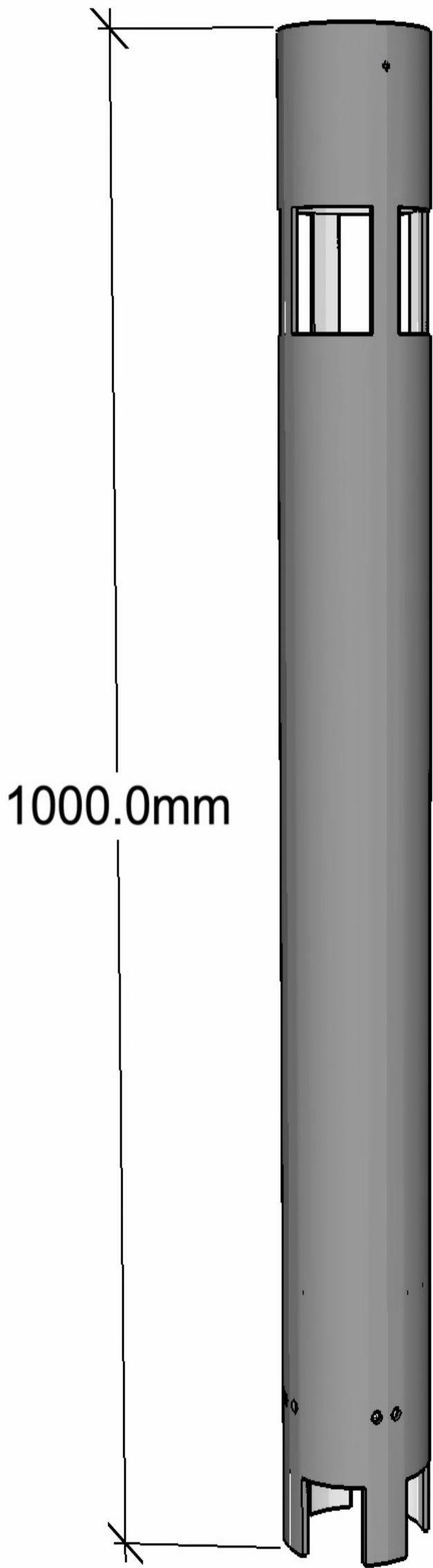


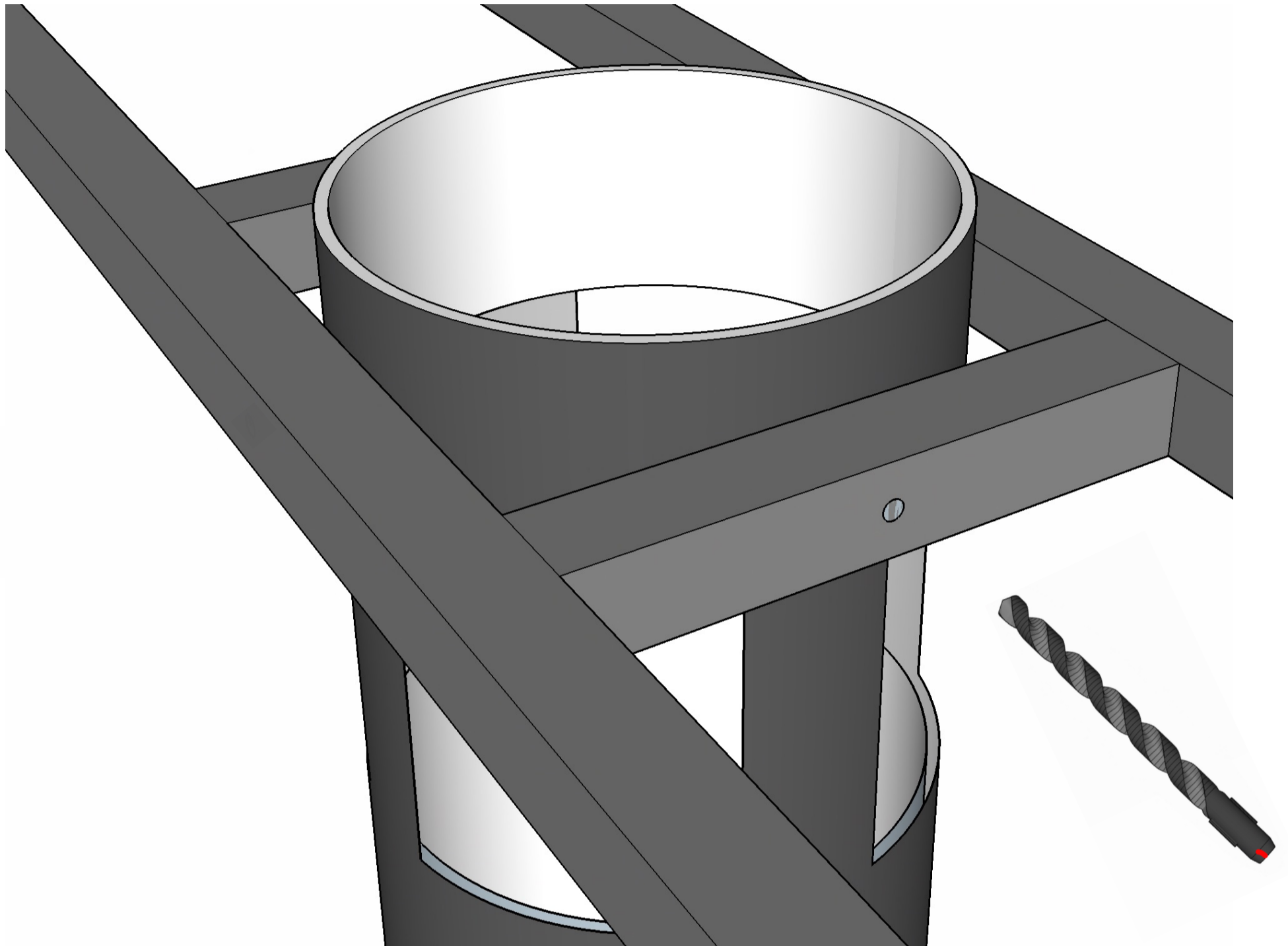
Mark the holes using the hinges on the solar panel with a pencil or drill them directly through the hinges.



First attach the hinges to the solar panel. Then drill the holes for the hinges in the metal frame. For this step join the solar panel to the metal frame and drill the holes directly through the hinges. This ensures that the solar panel and the metal frame fit together. Mark the upper side (side of the solar panel) on the metal frame for later assembly of the SOS.

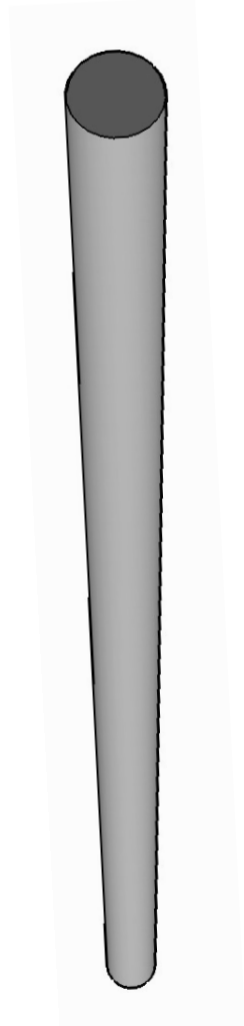
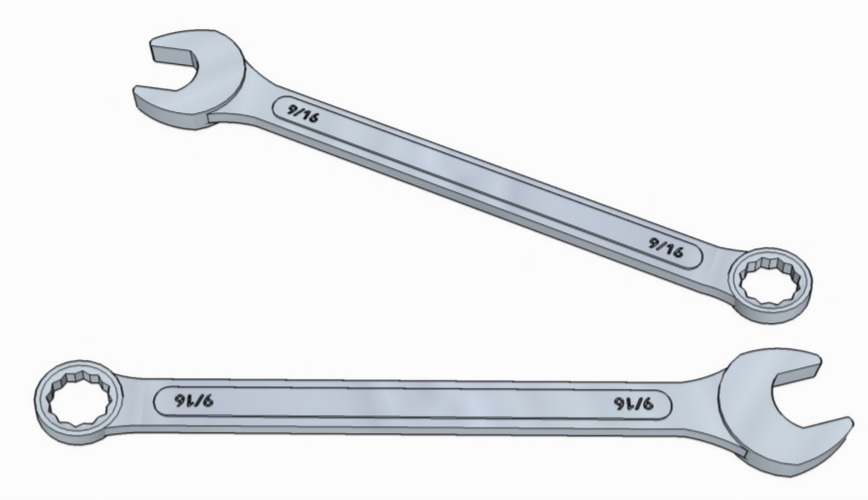
Pipe cut-out



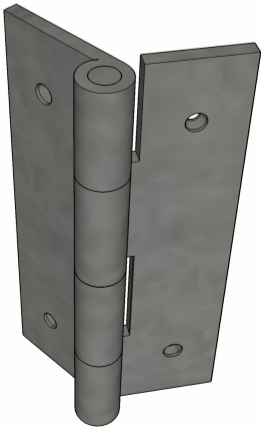


For the sake of simplicity and so that the holes in the metal frame match the holes in the PVC-pipe, the PVC-pipe should be drilled directly through the metal frame. For that the PVC-pipe should protude 24mm beyond the frame.

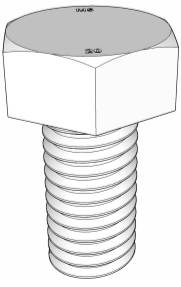
Construction manual



1x



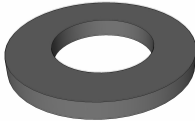
4x



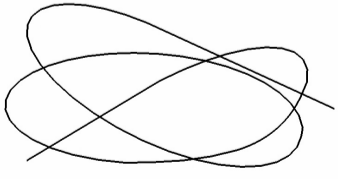
12x



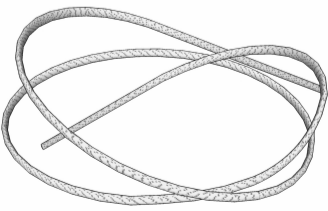
12x



12x

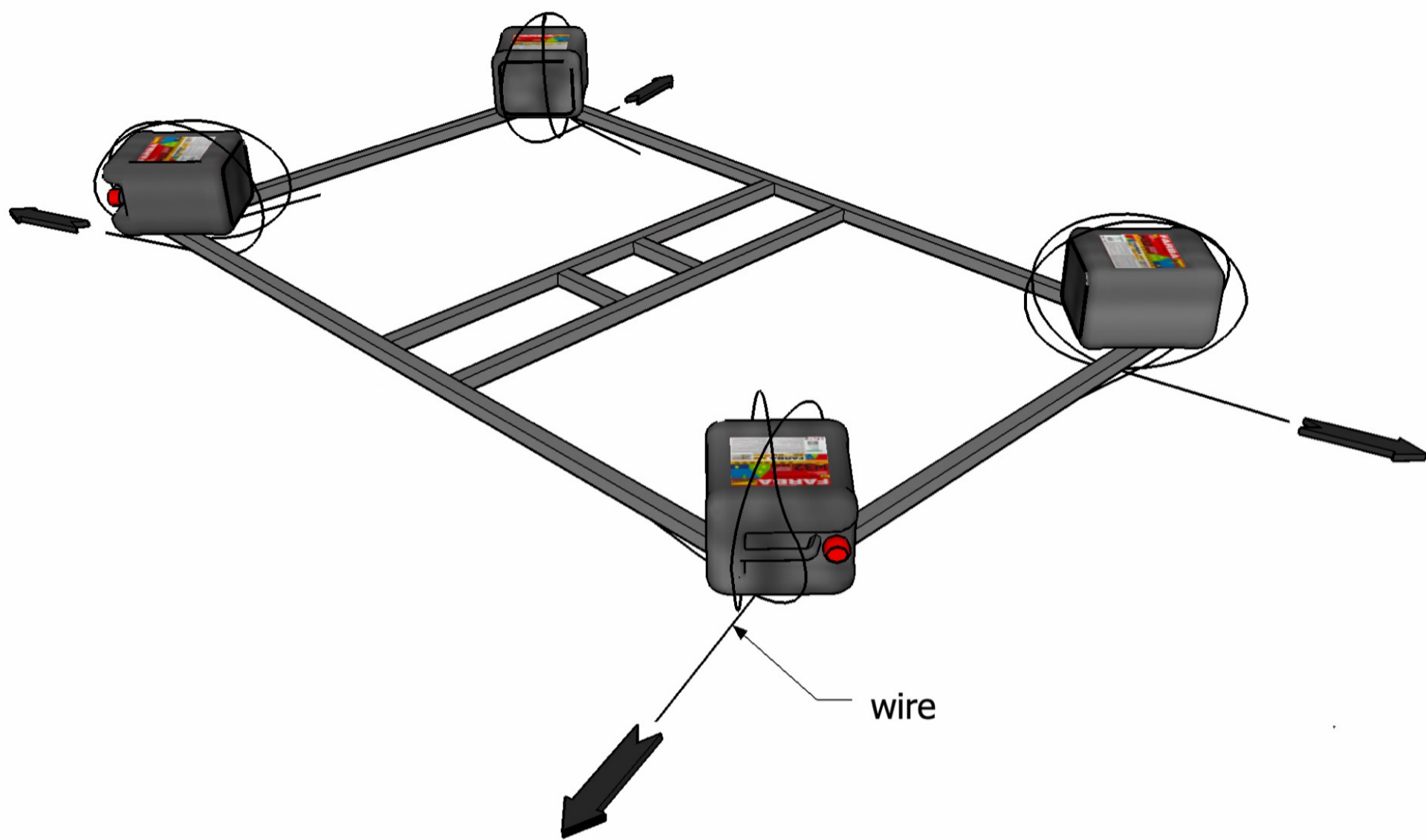


4x

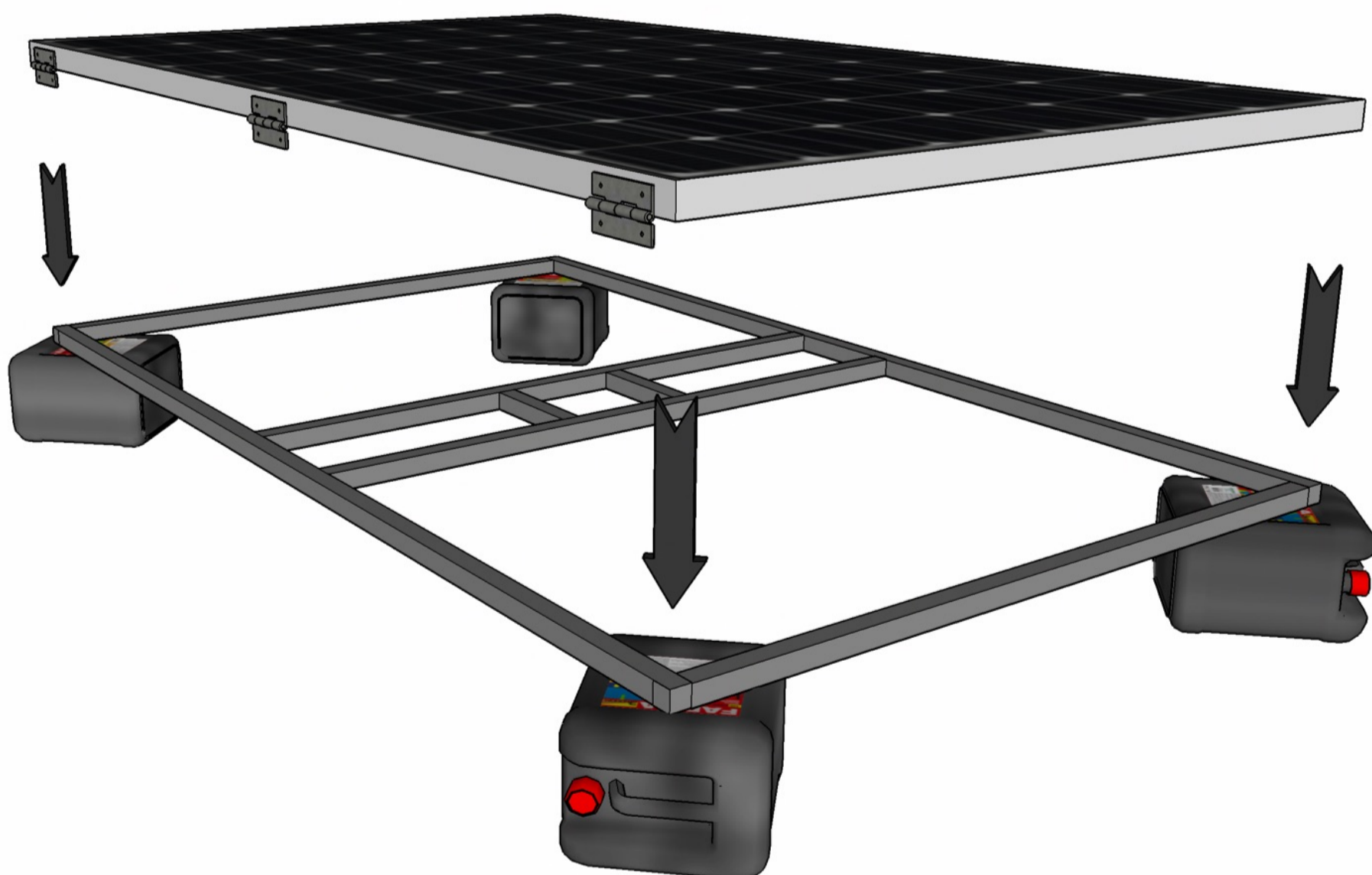


1x

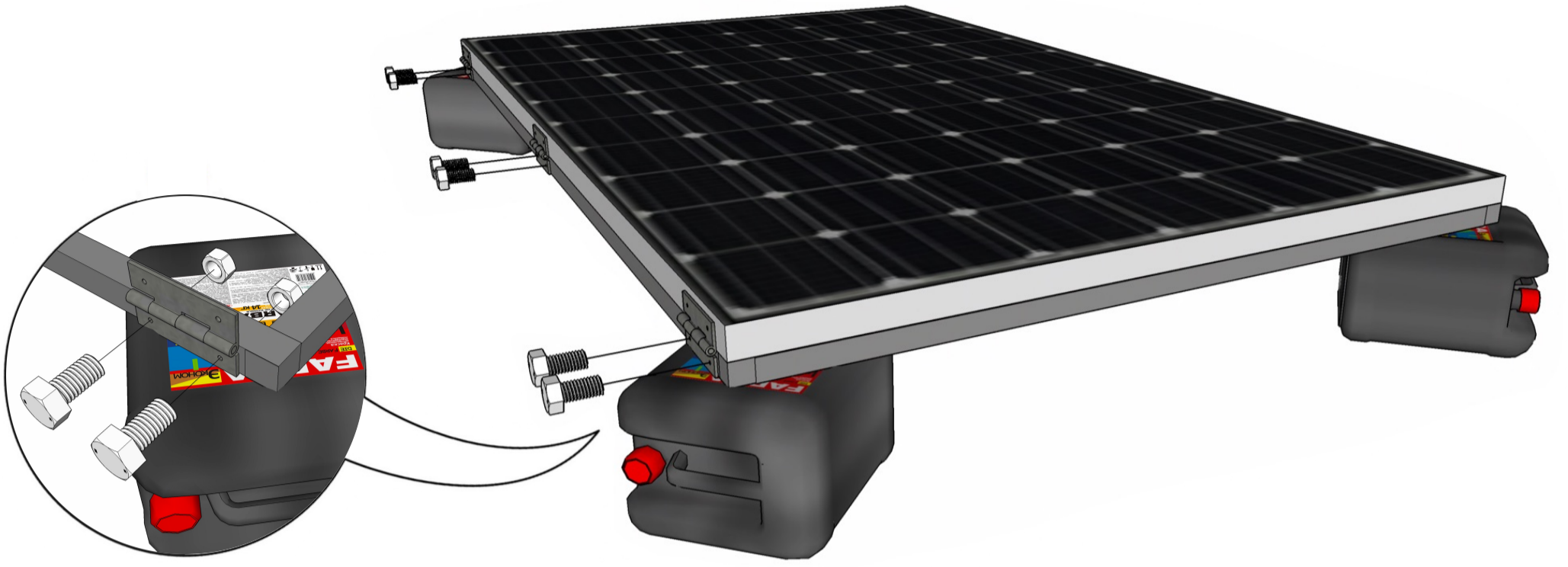
1



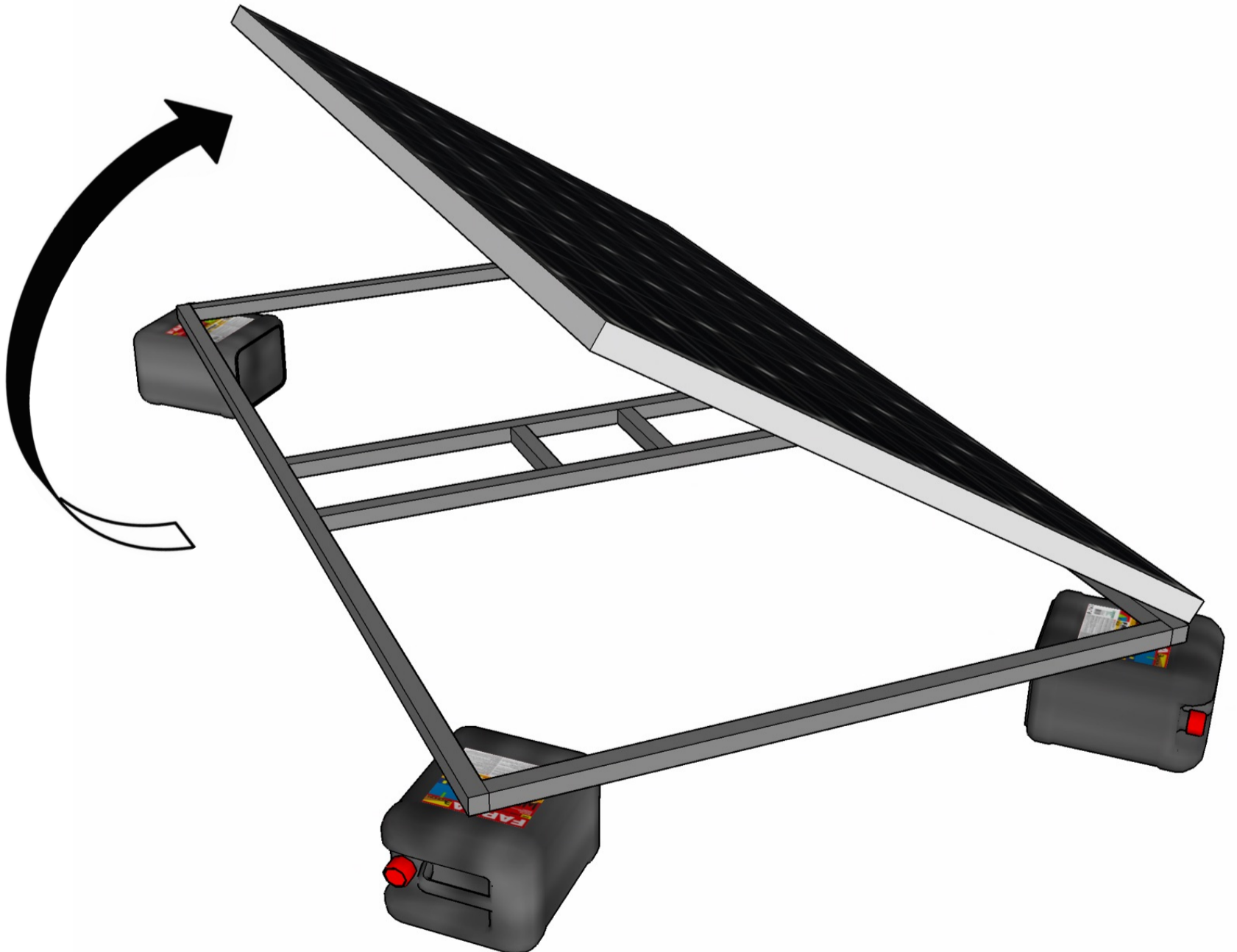
2



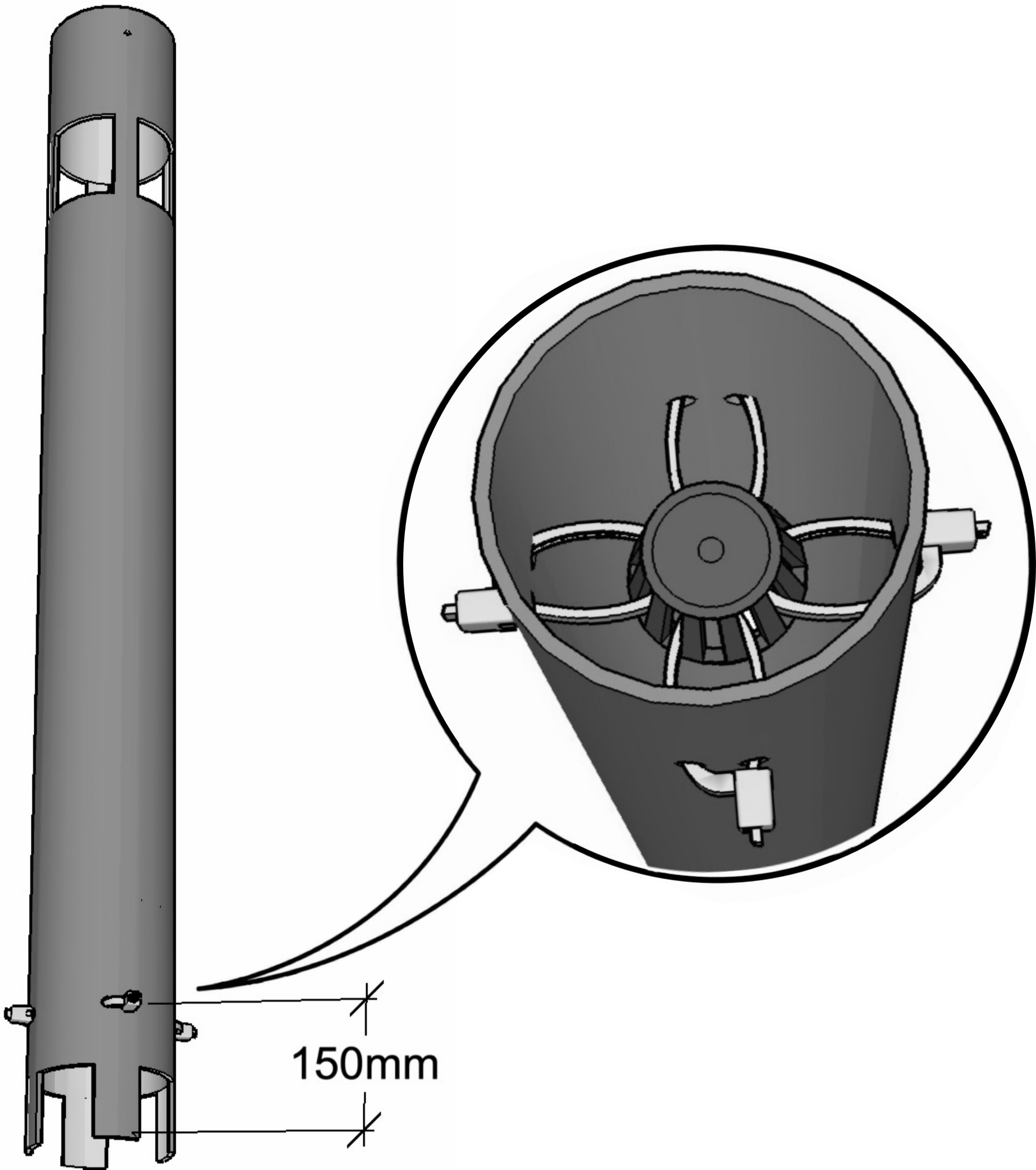
3



4



5



Fix the pump with cable ties (this fastening variant may be improved or changed by a second prototype).

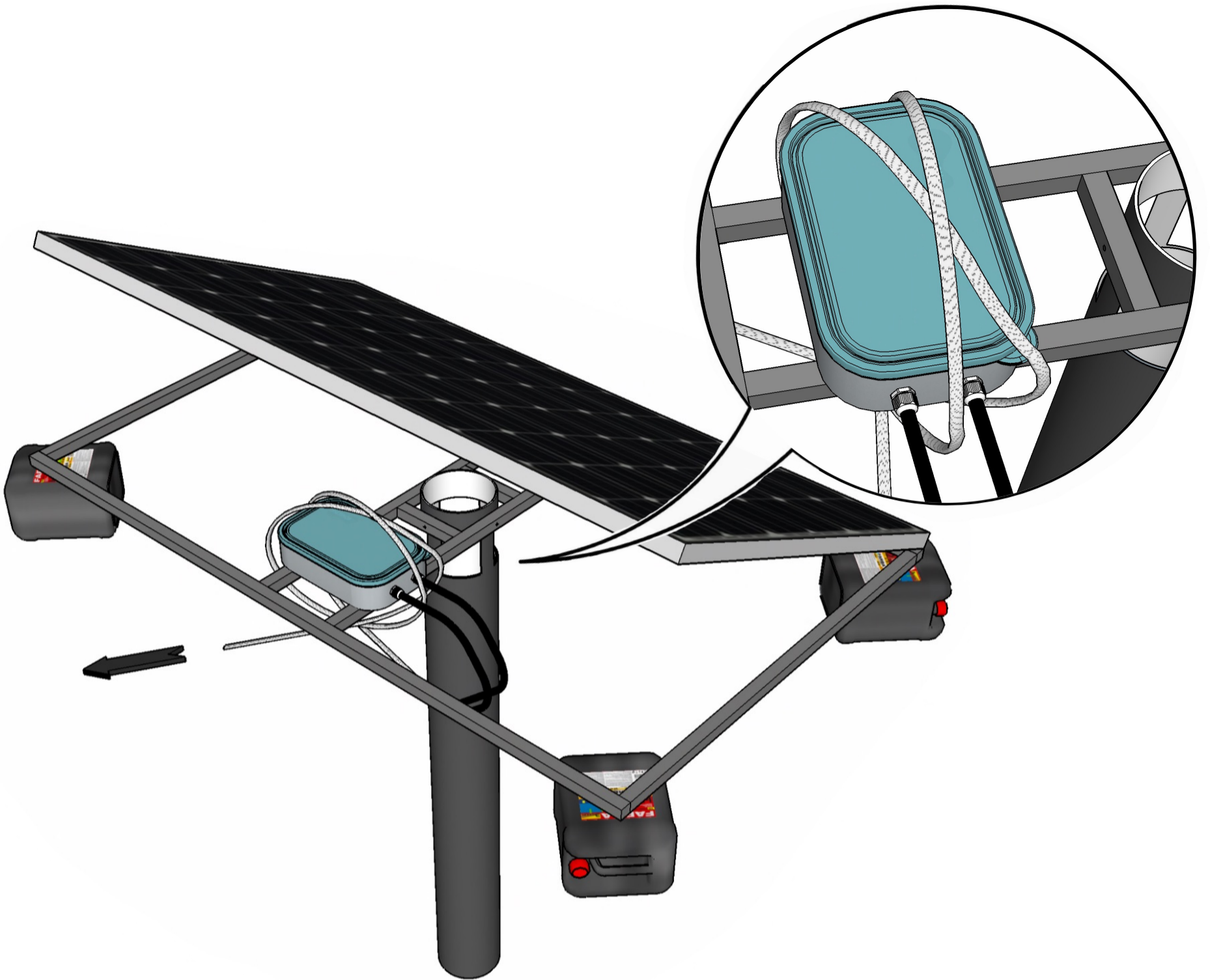
6

The pump tube is only installed when the SOS is in the water.

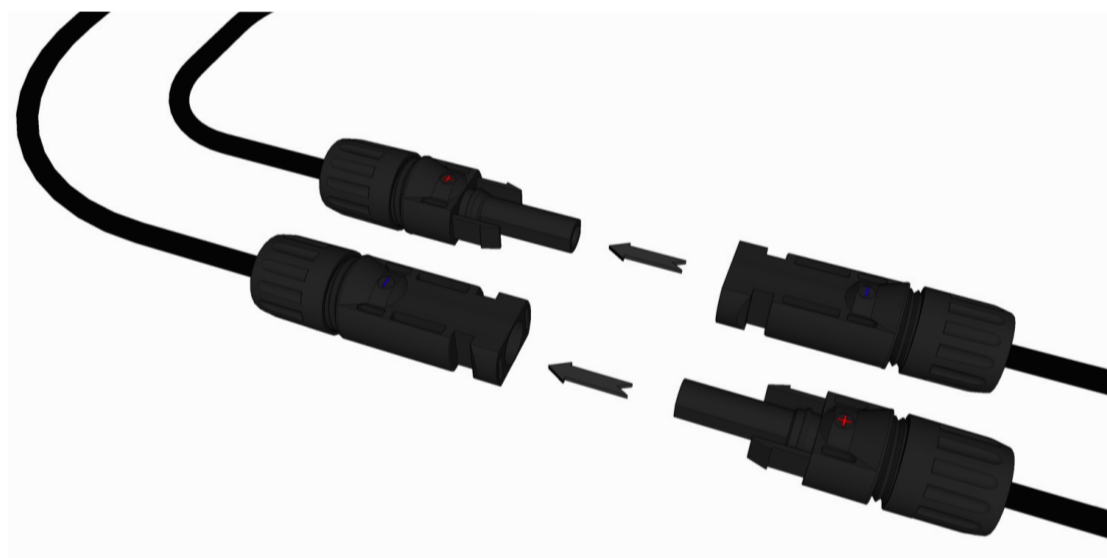


Hammer the steel rod through the holes to fix the pipe in place.

7



8



To prepare the electronics in the plastic box and to connect the SOS correctly use the SOP „SOS-Electricity“.



These instructions for building the Sun Oxygen System may only be used in conjunction with Smiling Gecko Cambodia. The manual may not be published elsewhere. For the illustration, graphics from Inter IKEA Systems were partly used.